

**Easy To Use!**

# Docu-Clips

**Available in sets of 100  
(all 3 pieces)**

**In Stock**

**Individual pieces are also available**

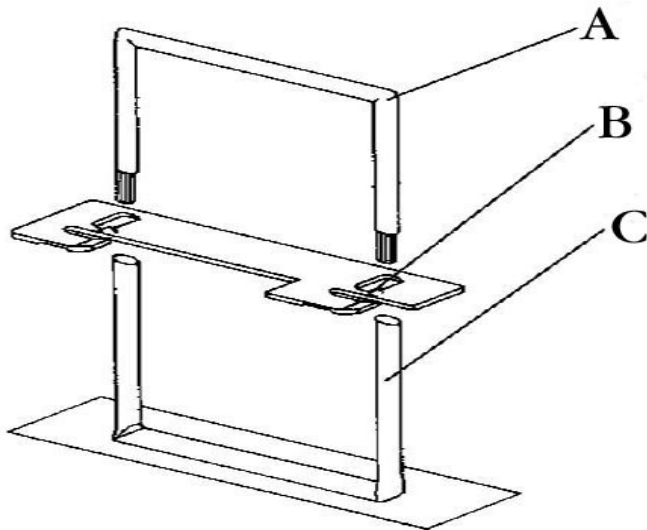


- A. Extension
- B. Compressor
- C. Base

**Easy to use, self adhesive base fastener is designed to allow your folder to function like a ring binder.**

**Install them when and where You need them.**

**Ask us about custom assembly and installation services.**



## **VISIBLE SYSTEMS CORPORATION**

1014 Branagan Drive  
PO Box 1627  
Tullytown, PA 19007  
[WWW.VSCFILING.COM](http://WWW.VSCFILING.COM)

Phone: 215-945-9400  
Fax: 215-945-8475  
Email: [VSCMILLER@COMCAST.NET](mailto:VSCMILLER@COMCAST.NET)